

ENDOSCOPES

- | | |
|--|--|
| 1 Dry
Drain water, dry all surfaces & blow air through ports. | 4 Wrap
Wrap tray or prep container according to sterilization manufacturers' instructions. |
| 2 Final Inspection
Inspect entire endoscope for soil and damage. | 5 Sterilize
Sterilize using the Sterilization Process Parameters. |
| 3 Pack
Select tray or container, position device, and lock lid. | 6 Store
Store sterilized device in a clean, dry place. |

ACCESSORIES GROUPS 1 & 2 AND Si STAPLER MOTOR PACK

Cannulae, Obturators, Release Kits, Hasson Cone, Instrument Introducers, Cords, Light Guide Cable, etc.

- | | |
|--|---|
| 1 Dry
Drain water, dry all surfaces & blow air through ports. | 4 Wrap or Prep*
Wrap tray, prep container, or prep peel pack for sterilization. |
| 2 Final Inspection
Inspect entire instrument for soil and damage. | 5 Sterilize
Sterilize using the Sterilization Process Parameters. |
| 3 Pack
Select tray, container or peel pack, position device, and lock lid. | 6 Store
Store sterilized device in a clean, dry place. |

*Peel Pack not validated for Si Stapler Motor Pack

INSTRUMENTS, STAPLER, AND SP CAMERA

- | | |
|--|---|
| 1 Dry
Drain water, dry all surfaces & blow air through ports. | 5 Wrap or Prep*
Wrap tray, prep container, or prep peel pack for sterilization. |
| 2 Final Inspection
Inspect entire device for soil and damage. | 6 Sterilize
Sterilize using the Sterilization Process Parameters. |
| 3 Lubricate
Lubricate designated areas (for example, cable, crotch). | 7 Store
Store sterilized device in a clean, dry place. |
| 4 Pack
Select tray, container or peel pack, position device, and lock lid. | |

*Peel Pack not validated for SP Camera.

STERILIZATION PROCESS PARAMETERS

Steam Sterilization
(S/Si, X/Xi, SP, Instruments, Accessories, and SP Camera)

PARAMETERS	
Temperature	270 °F (132 °C)
Full Cycle Exposure Time	4 minutes
Dry Time	30-50 minutes Drying time will vary depending on the packing system used, steam quality and load size of the sterilizer, and environmental conditions. Drying times after steam sterilization are between 30 and 50 minutes based on validation studies performed by Intuitive Surgical. Per ANSI/AAMI ST79: 2010, "drying should be evaluated by controlled, random sampling and opening selected sets at the completion of the drying/cooling time. Health care facility policy will dictate the frequency of sampling."

Low Temperature Sterilization
(Si Stapler Motor Pack, Xi Endoscope, and S/Si Endoscope)

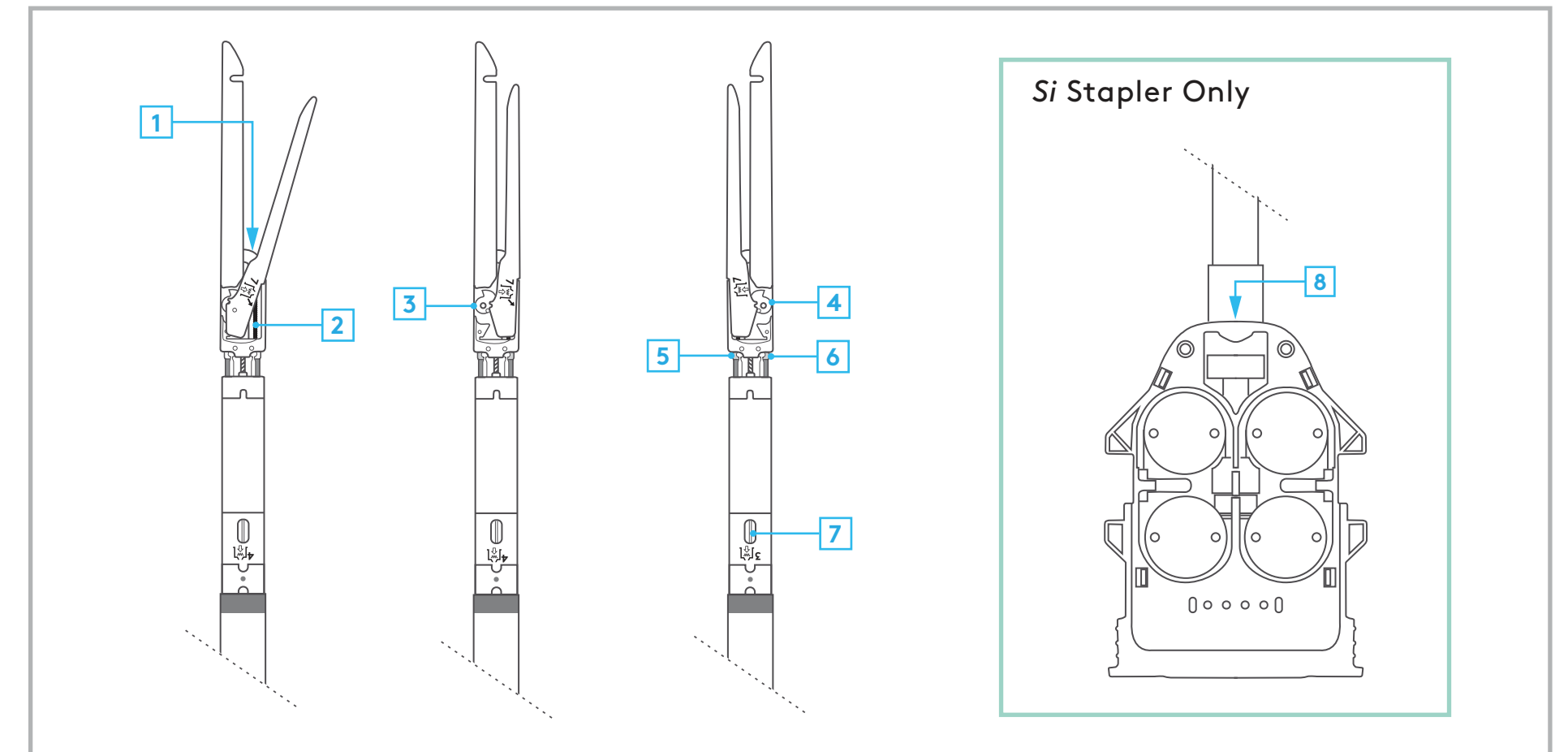
PRODUCT NAME	STERRAD 100NX	STERRAD 100S	STERRAD NX
Si Stapler Motor Pack	Express*	Standard†	Standard
Xi Endoscope			N/A
S/Si Endoscope			

PRODUCT NAME	Steris V-PRO 1	Steris V-PRO 1 Plus	Steris V-PRO maX	Steris 1E
Si Stapler Motor Pack	V-PRO	Lumen	Lumen	N/A
Xi Endoscope	V-PRO**	Lumen**	Lumen**	
S/Si Endoscope		Non-Lumen**	Non-Lumen** Flexible**	Standard†

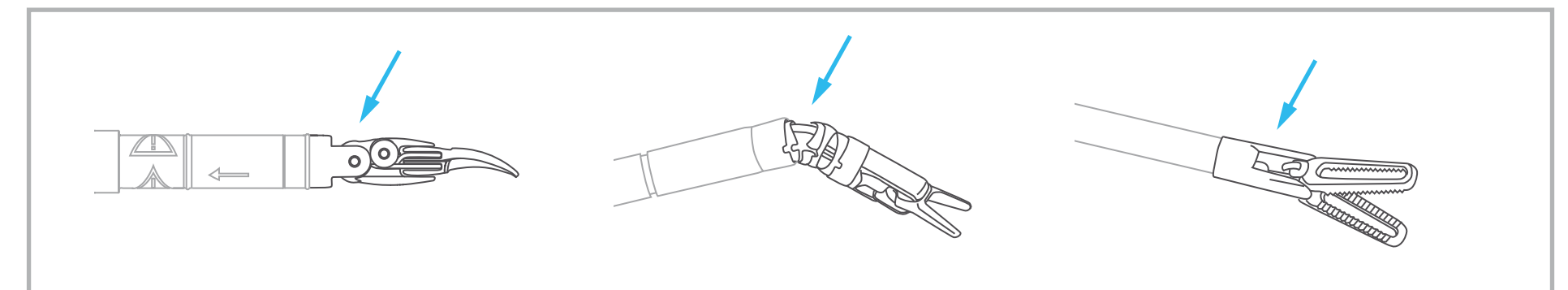
*Xi Endoscope sterilization wrap 400 max. thickness, load single tray on bottom shelf.
**Xi Endoscope sterilization wrap 600 max. thickness, load single tray on either shelf.
†Xi Endoscope sterilization wrap 600 max. thickness, load single tray on top shelf.
‡Sterilization using the Steris 1E is for immediate use only.

PRODUCT NAME	Ethylene Oxide (EtO) Gas
S/Si Endoscope	Precondition: 55 °C, 70% RH, 1.3 PSIA vacuum, 30 min Sterilization: 55 °C, 70% RH, 600 mg/L Ethylene Oxide, 120 min Aeration: 55 °C, 12 hours

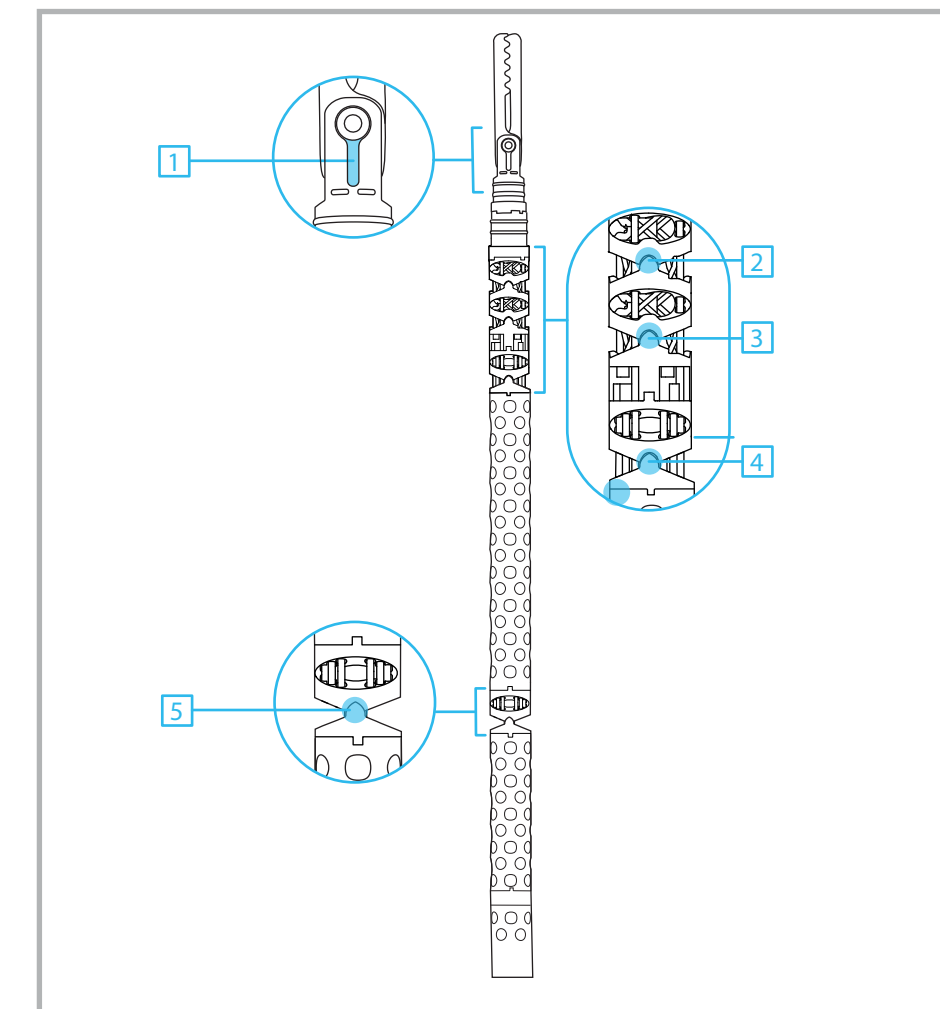
STAPLER LUBRICATION AREAS



ENDOWRIST & SINGLE-SITE INSTRUMENTS LUBRICATION AREAS



SP INSTRUMENT LUBRICATION AREAS



SP CAMERA LUBRICATION AREAS

